



MAMV1 Minor Abrasive Metering Valve

Owner's Manual

Date of Issue 23/03/2023 TSOM 956A

Hodge Clemco Ltd

36 Orgreave Drive,
Handsworth,
Sheffield,
South Yorkshire,
S13 9NR,

Tel: 0114 254 1520

www.hodgeclemco.co.uk
sales@hodgeclemco.co.uk
totalcare@hodgeclemco.co.uk

MAINTENANCE INSPECTION CONTRACT

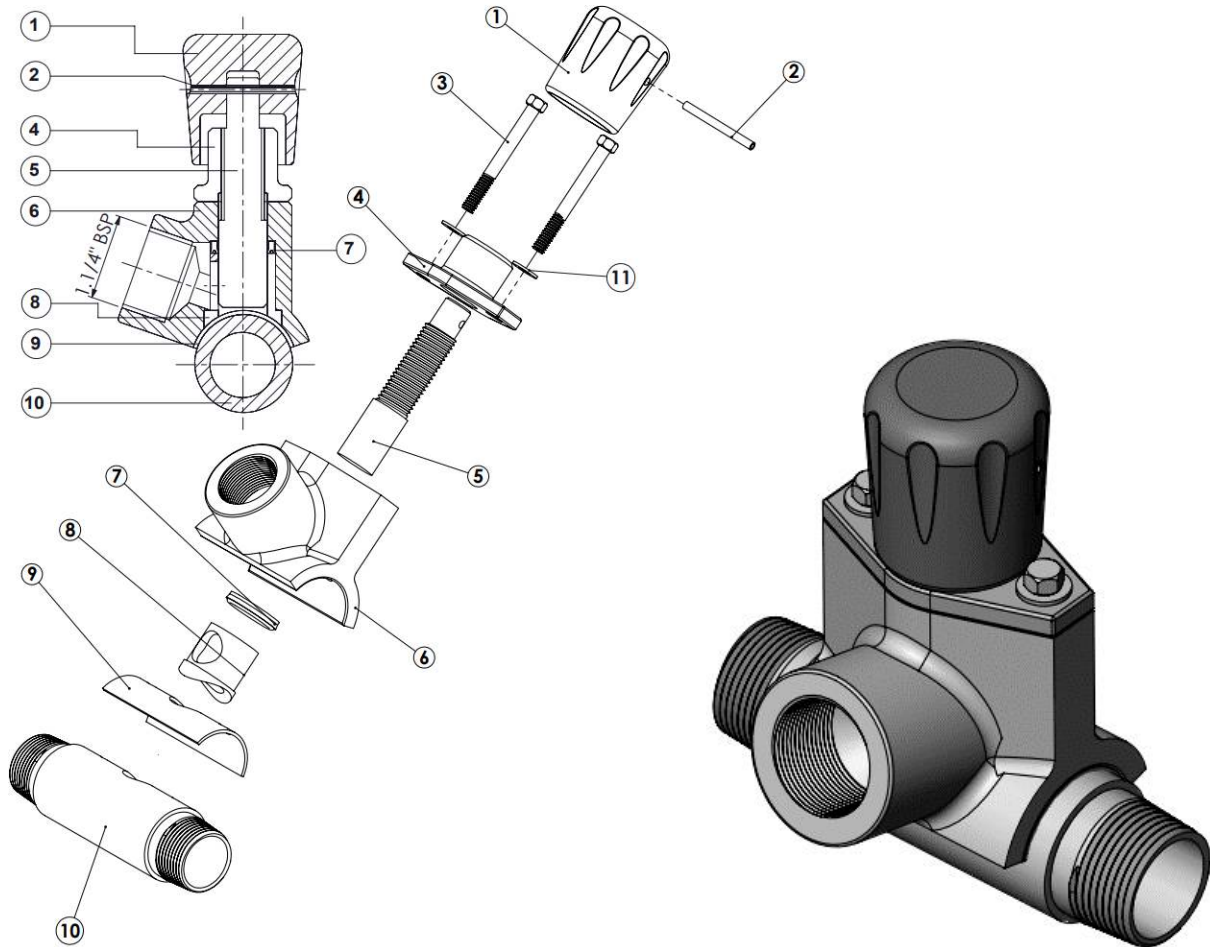
In response to numerous requests, we are now able to offer a Maintenance Inspection Contract for your Clemco Equipment.

These requests have been made by customers who appreciate the benefits of regular inspection/servicing on a planned basis. The remedial work that follows a breakdown or worse, the need for early equipment replacement due to accelerated wear may easily exceed the cost of a Maintenance Inspection Contract. If you would like further details please contact our Customer Services Department on **0114 2548811**

A request for more information does not represent any form of commitment on your behalf, so can you afford to say 'NO' at this stage?

We look forward to hearing from you soon.

MAMV1 MINOR ABRASIVE METERING VALVE: ARRANGEMENT DIAGRAMS + PARTS LIST



MAMV1 MINOR ABRASIVE METERING VALVE PARTS LIST			
No	PART CODE	DESCRIPTION	QTY.
1	MAMV1	MINOR ABRASIVE METERING VALVE 1"	1
2*	INCLUDED IN MAMV1RK	ROLL PIN	1
3	MAMV3	BOLT	2
4	MAMV4	CAP	1
5*	INCLUDED IN MAMV1RK	PLUNGER	1
6	MAMV6	BODY	1
7*	INCLUDED IN MAMV1RK	PLUNGER SEAL	1
8*	INDLUDED IN MAMV1RK	SLEEVE URETHANE	1
9*	INDLUDED IN MAMV1RK	GASKET	1
10	MAMV10	PIPE NIPPLE - 1" BSPT(F) x 1" BSPT(F)	1
11	MAMV11	WASHER	1
12	MAMV12	KNOB	1
13	INCLUDED IN AMV1RK	REPAIR KIT (ALL ITEMS MARKED * INCLUDED)	1